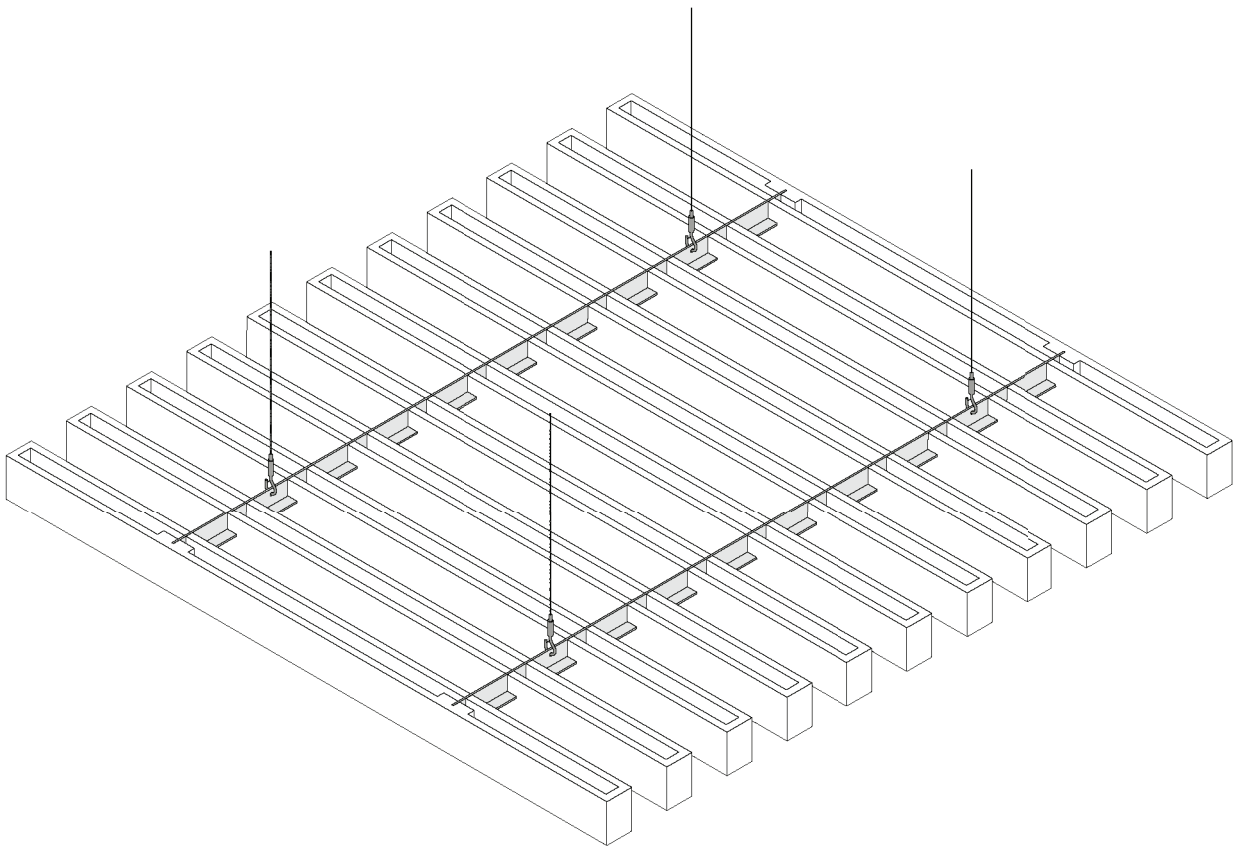


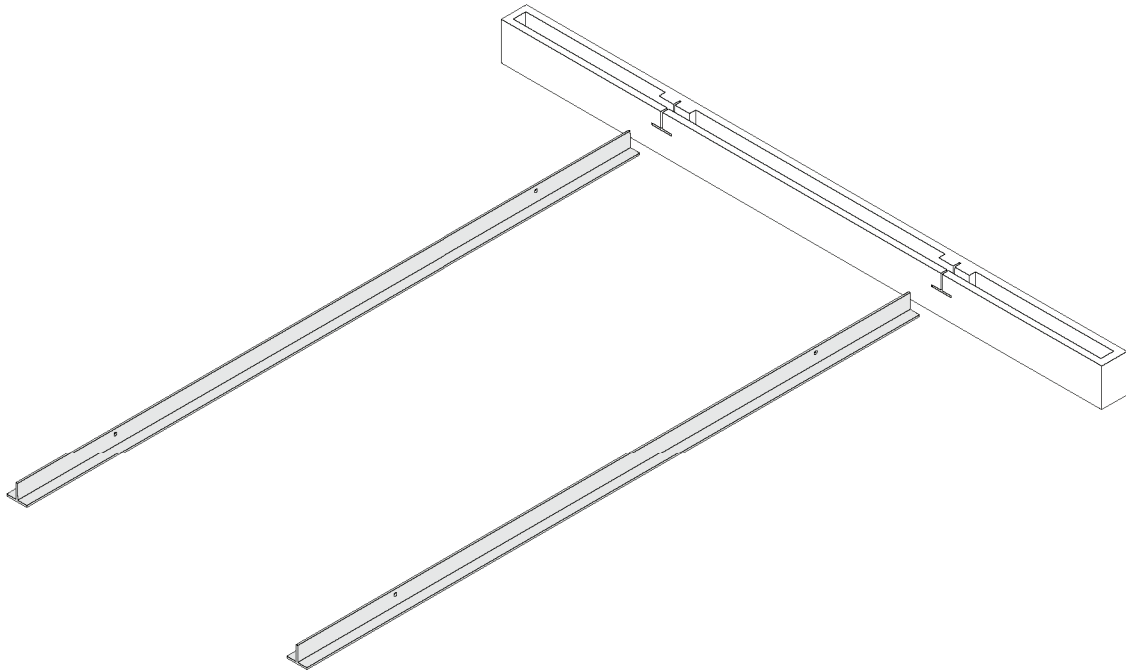
hush.  
*acoustics*

# LINEAR BEAM INSTALL GUIDE

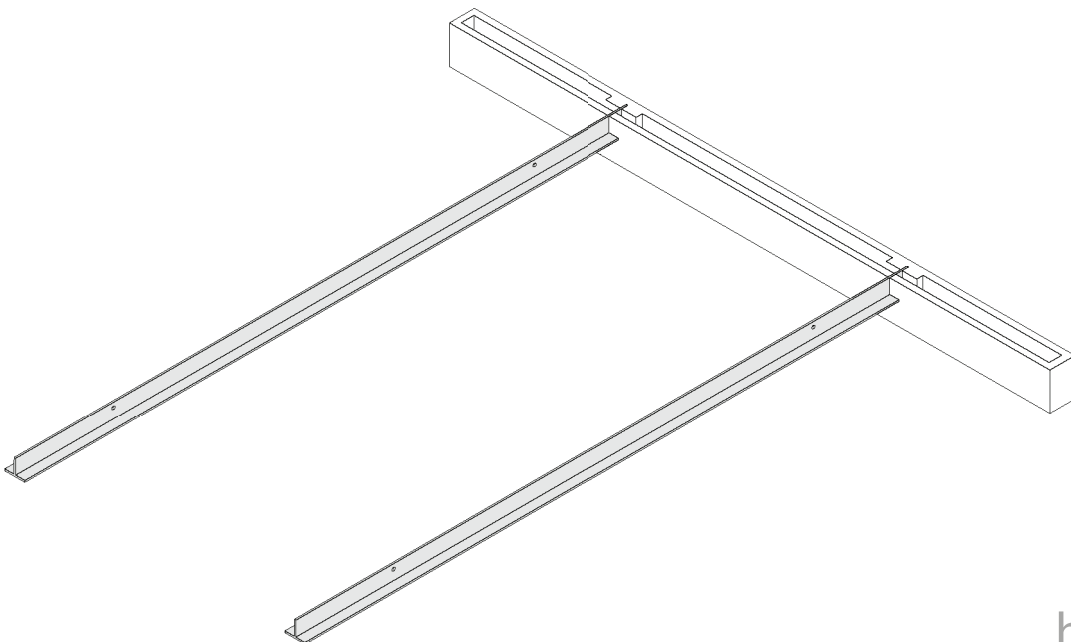


Quiet by design

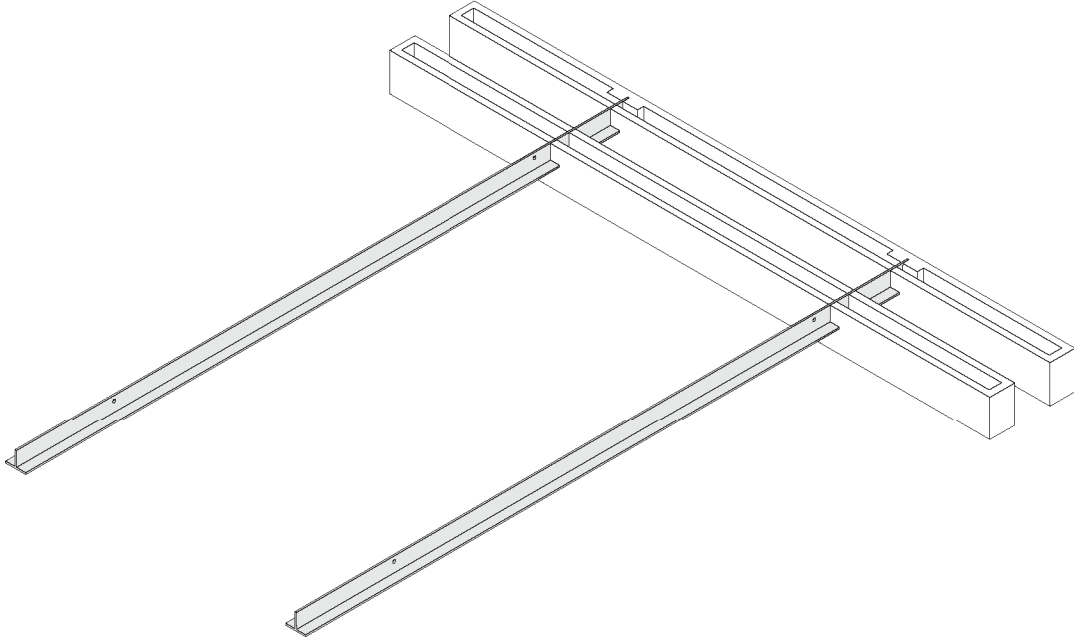
- 1) Locate the 'End Cap Beams' (they can be identified by the built-up block on the inside) and the aluminum 'T-track'.



- 
- 2) Insert the aluminum T-track into the End Cap Beam as shown below:

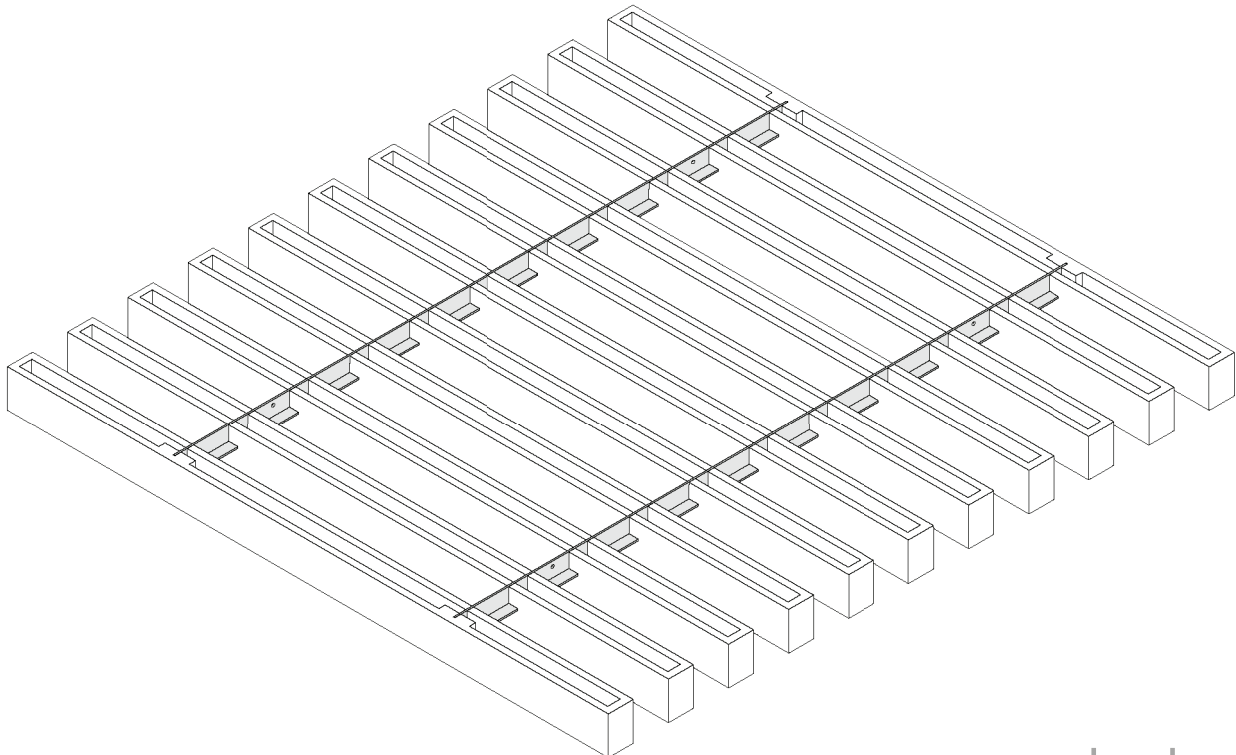


3) Now slide on the intermediate Beams (in numerical order if noted on the Beams ), spacing the Beams using spacing tool provided.

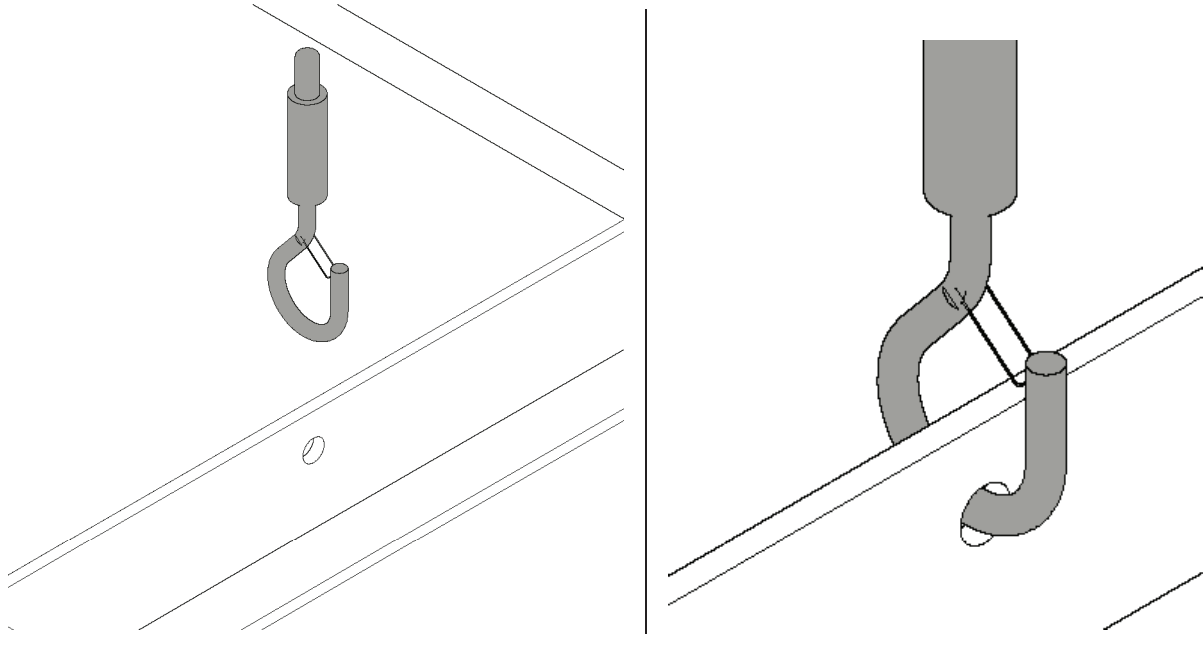


---

4) Add remaining Beams, ending with a Beam End Cap.



- 5) Next, attach the 'Clevis-Hook' onto the T-track in the pre-drilled holes. (Ensure that the spring-loaded safety clip is in the closed position once the hardware is attached).



- 6) When all Clevis-Hooks have been installed, your Linear Beam is now complete and ready to be suspended from the ceiling. (Please refer to the 'Ceiling Hardware Install Guide' for the final steps).

